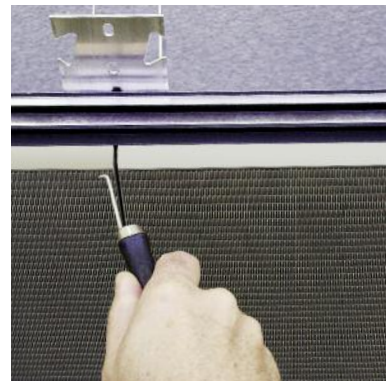
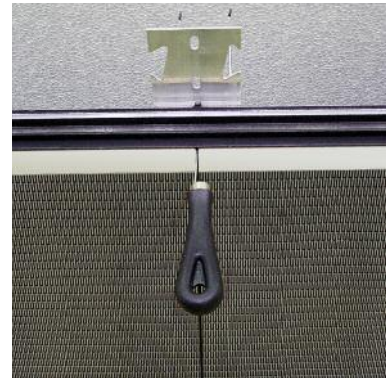


Ceilencio's easy downward access ceiling system is demonstrated using Trelisio woven wire panels.



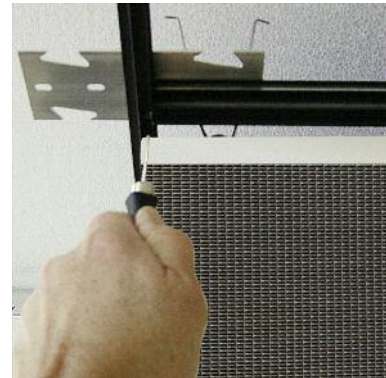
Removal tool fits into 1/8" reveal.



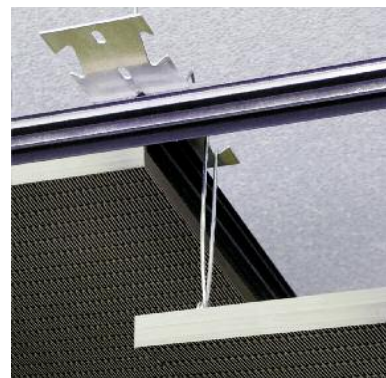
The hook of the tool is rotated 90° in either direction.



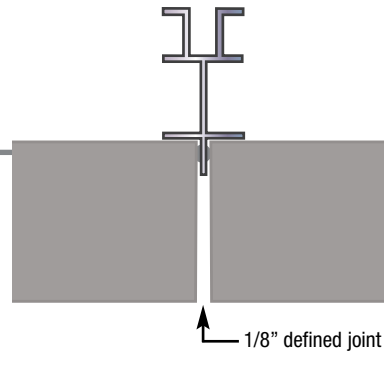
Rotate hook behind panel.



Pull down gently keeping tool engaged behind panel until panel edge can be held with free hand.



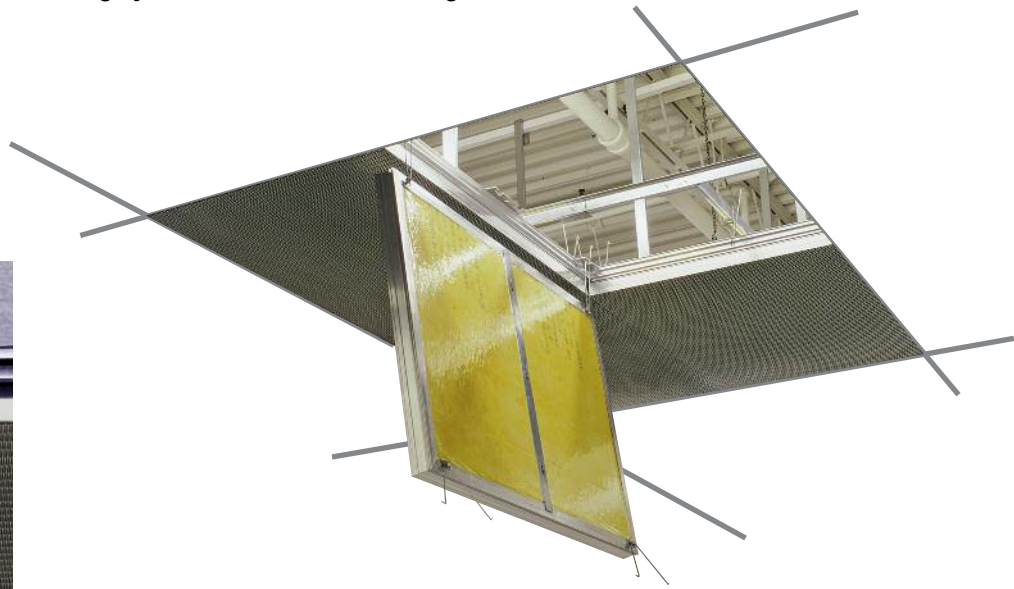
Lower panel to spring retainer limits (spring ends have hooks at 90°).



Fin is integral part of Ceilencio grid which ensures accurate repositioning and panel alignment.



Disengage panel retainer springs from "butterflies".



Ceilencio

Ceilencio accessible ceiling suspension can be integrated with the following Decoustics finishes.

Claro and Metallo

Claro and Metallo are acoustically transparent finishes with superb sound absorbing properties. Claro gives the classic appearance of drywall while Metallo integrates metalized components to provide luster and sparkle. Both finishes can be color matched to a paint chip for a truly custom appearance.

Madero

Natural wood veneer acoustic panels and planks ideal for ceiling or wall applications.

Trelisio

Woven Wire Stainless Steel finish available in 9 different patterns. Custom weave and other wire materials such as copper, brass, bronze and aluminum are also available subject to suitability.

Fabric and Vinyl

Most designer or economical fabrics can be applied to Decoustics panels. Vinyl can also be used and perforated as necessary to achieve optimum acoustical performance.

Services Decoustics assists in designing, budgeting, CAD drawings, acoustical and fire testing, and with our qualified sales representation.

Warranty For warranty information please refer to our website.

Environmental Commitment We are constantly seeking ways to contribute to a better environment. Decoustics is a member of the U.S. Green Building Council and AWI. LEED, BREEAM and environmental information on our products can be found on our website.

www.decoustics.com



Factory curved panels with Design Returns in a Ceilencio torsion spring suspension for easy downward access.

Ceilencio®

Custom Aluminum Suspension Systems



3/11

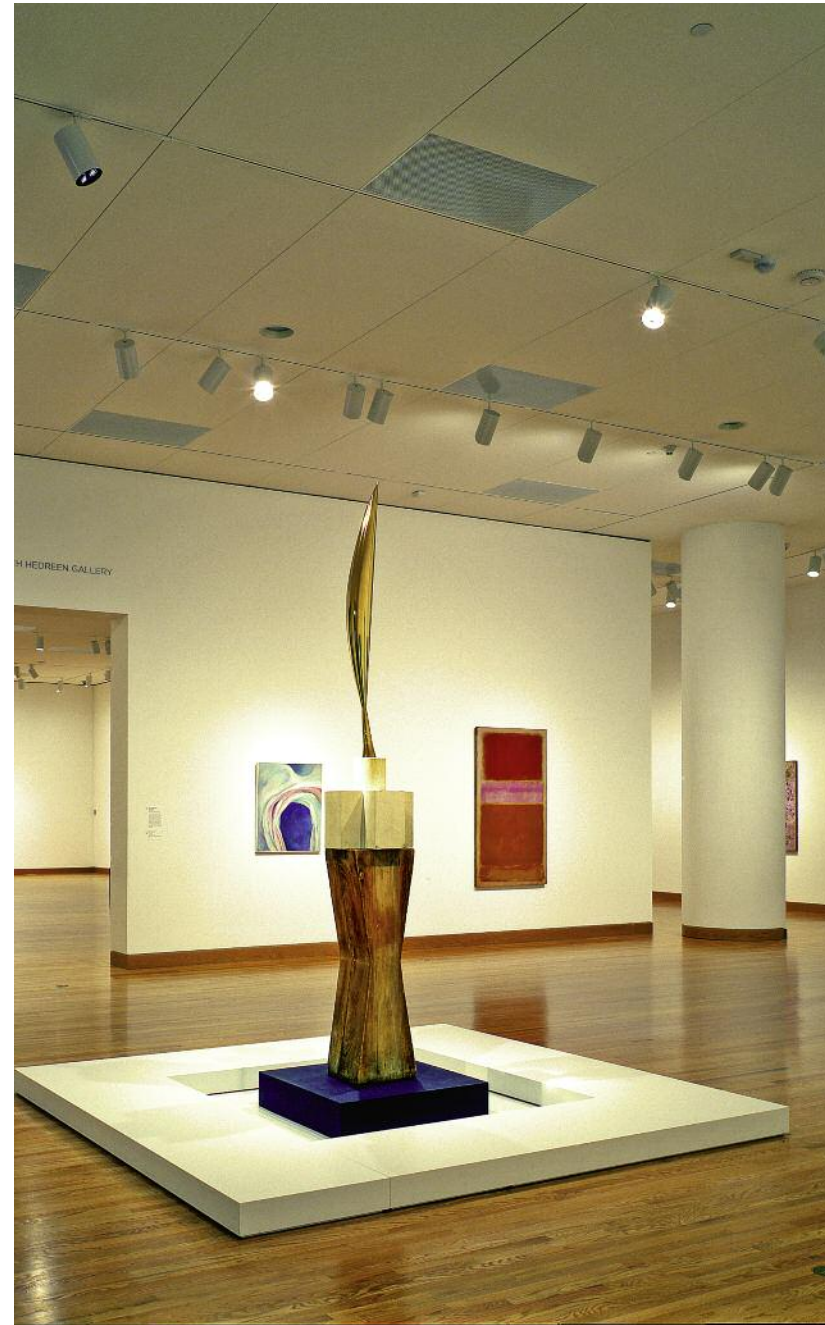
Decoustics Limited
61 Royal Group Crescent
Woodbridge, Ontario L4H 1X9
Canada

Main (905) 652-5200
Toll Free (800) 387-3809



Ceilencio®

Ceilencio is a complete ceiling system, integrating panels and a unique suspension grid which offers total design flexibility. The suspension system is simple to install and provides individual panel downward access through the use of special torsion springs.



Custom metal reveals and perforated metal panels complete the integration of Claro panels with track lighting and custom diffusers in this Ceilencio ceiling system.

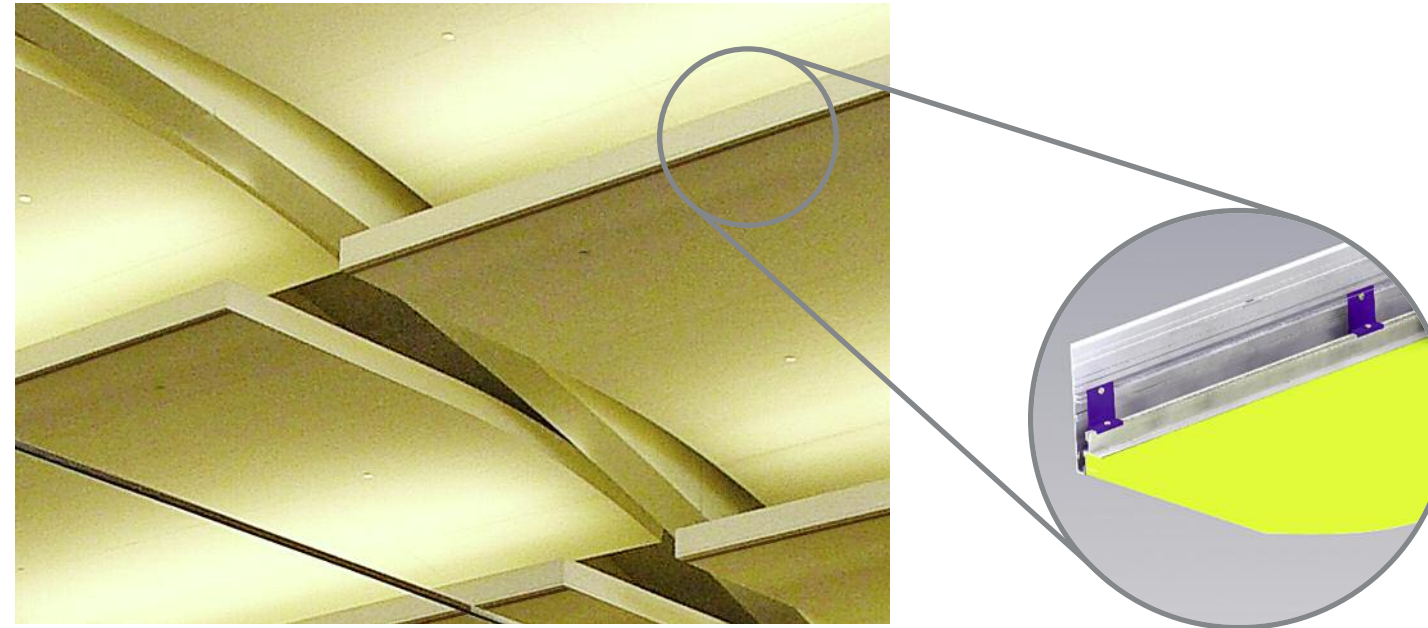


Curved custom Ceilencio ceiling with Claro and Quadrillo panels enhance the vaulted corridor of this medical centre lobby.



Decoustics offers concealed, stretch-formed aluminum edging for curved shapes and extruded aluminum for flat panels for high quality edge details and accurate joint alignments.

Ceilencio with Designed Returns

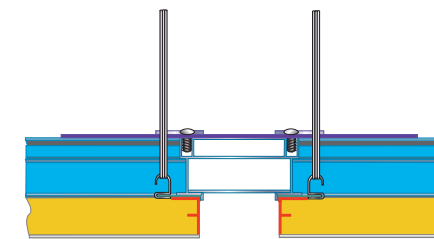
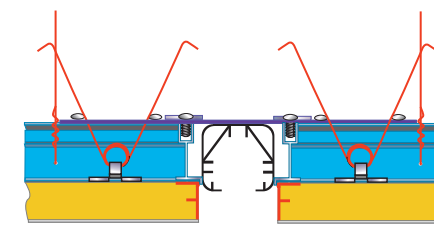


Continuous Extruded Aluminum Return for custom Ceilencio ceiling system. This return provides a continuous look. There is a 1/8" (3mm) reveal between the return and panel. The Ceilencio custom panels can be accessed without affecting the return edge - it remains in place, as it is part of the ceiling grid.

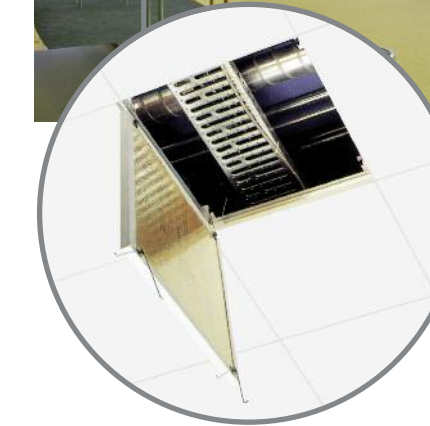
Ceilencio with Integrated Diffusers and Light Track



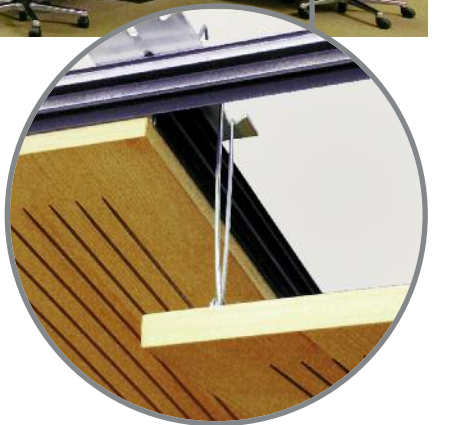
Custom designed reveals available.



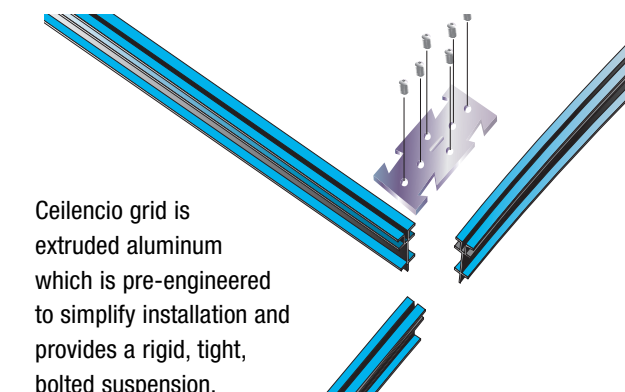
One System – Multiple Finishes



Quadrillo and Claro finishes were integrated into the Ceilencio ceiling in this corporate boardroom. The Decoustics advantage allows specifiers have the opportunity to single source multiple finishes for any ceiling design.



The Ceilencio system features easy installation and panels which release downward providing convenient access to the plenum (as shown above).



Ceilencio grid is extruded aluminum which is pre-engineered to simplify installation and provides a rigid, tight, bolted suspension.

